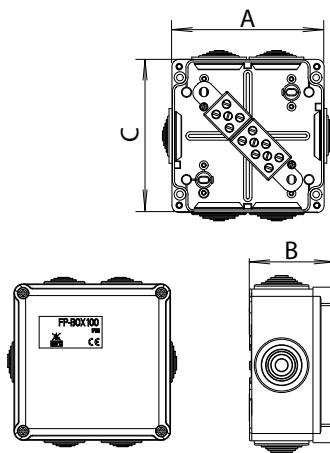




- Ceramic terminal blocks mounted on a metal carrier.
- The mounting of the box is done from inside through 2 holes in the carrier. Under the carrier are 2 metal spacer rollers, whose one end rests on the carrier bottom and the other end touches the wall or ceiling.
- Zinc plated screws with combi head.
- Mechanical resistance IK08.

Complies with standards	STN 92 0205, class PS 90 ČSN 73 0895, class P 90-R DIN 4102-12, class E 90	Installation on the surface of class (SK)	material A1
Degree of protection (IP)	IP55	Operating temperature	-25 °C to +60 °C
Halogen-free material:	PA - self-extinguishing	Glow wire test	850 °C
Nominal insulation voltage	400 V~	Zinc plated screws with combi head	4 pcs.
		Mechanical resistance	IK08

Dimensional drawing



Ord. No. (Type)	Dimensions A x B x C (mm)	Elastic cut-off glands	Cross section (mm ²)	Ceramic terminal block	Mounting holes	Colour	Pkg. (pcs.)
400400 (PO 105 5P/4)	104,6 x 58,5 x 104,6	6 x Pg 21 (ø 29 mm)	4	5 - pole	2 x ø 6,4 mm, spacing 60 x 60 mm)	orange	10

Note: Number of conductors that can be connected to the ceramic terminal blocks
 Cross section 4 mm²: 10x 0,5mm²; 9x 0,75 mm²; 8x 1mm²; 4x 1,5 mm²; 3x 2,5 mm²; 1 x 4 mm²; 1x 6mm²

Standards/Approvals

